

DESCRIPTION

The ET-2 is a digitally coded miniature radio transmitter. This transmitter can be programmed to activate any of Linear's standard digital receivers that are tuned to the same frequency. The ET-2 can perform many remote switching tasks and is typically used in wireless/hardwire security systems. The ET-2 is powered by a self-contained 12-volt battery and includes a battery test/operation LED.

CODE SETTING

When Linear's digital security radios leave the factory, they are set to a predetermined factory test code. In order to avoid duplicating codes in adjacent systems, **the factory-set codes should not be used.** Among the 256 possible codes, **four other codes should not be used:** all keys set to ON, all keys set to OFF, and keys set in alternating ON/OFF or OFF/ON positions.

The digital coding switch in the ET-2 is located under the battery cover of the unit. To access the switch, remove the battery cover by twisting the keychain loops apart. Note that the coding switch has eight keys numbered 1 through 8 (see Figure 1). Use a paper clip or any other pointed object (except a pencil or pen) to set the keys ON or OFF to the code you select. Make sure that the keys are set all the way on or off by pushing against them firmly.

In the example shown in Figure 1, keys numbered 1, 4, 6, and 8 are set to ON; the keys numbered 2, 3, 5 and 7 are OFF. Replace the battery access cover.

TRANSMISSION DURATION

The ET-2 does not contain any circuitry that limits the transmission time. It will transmit as long as the pushbutton is pressed.

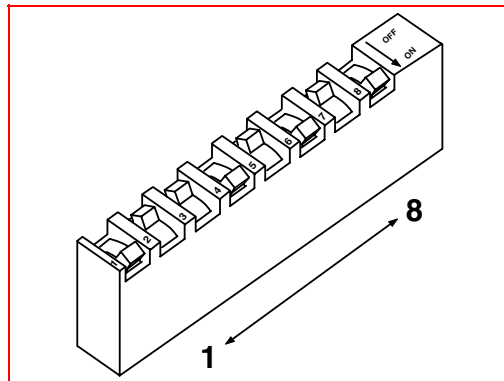


Figure 1. Example Coding Switch

CHECKOUT AND TEST

After setting the appropriate code in the ET-2 transmitter and its companion receiver, the transmitter and receiver should be tested as a system. The receiver should be powered as described in the Code Setting and Installation Instructions enclosed with the receiver.

To test the ET-2 transmitter, perform each of the following steps:

STEP 1: Move at least six feet away from the receiver and activate the transmitter by pressing the pushbutton. The flashing red LED on the transmitter indicates that the battery is good and a transmission is occurring. Receiver activation indicates that the transmitter is operating properly and that the transmitter's digital code is correctly matched to the receiver.

STEP 2: Operate the transmitter from various locations within the area to be protected. This will help to locate possible null areas where structural metal and/or certain obstacles may interfere with transmission.

CAUTION: *The manufacturer strongly recommends that you test your security equipment frequently. From the time of installation, it is absolutely necessary to test the system at least once a week. Although the 12-volt battery should last 12-18 months, it is good practice to change the battery routinely every year.*

LINEAR LIMITED WARRANTY

This Linear product is warranted against defects in material and workmanship for twelve (12) months. The Warranty Expiration Date is labeled on the product. **This warranty extends only to wholesale customers** who buy direct from Linear or through Linear's normal distribution channels. **Linear does not warrant this product to consumers.** Consumers should inquire from their selling dealer as to the nature of the dealer's warranty, if any. **There are no obligations or liabilities on the part of Linear corporation for consequential damages arising out of or in connection with use or performance of this product or other indirect damages with respect to loss of property, revenue, or profit, or cost of removal, installation, or reinstallation.** All implied warranties, including implied warranties for merchantability and implied warranties for fitness, are valid only until Warranty Expiration Date as labeled on the product. **This Linear Corporation Warranty is in lieu of all other warranties express or implied.**

For warranty service on Linear equipment return product, at sender's expense to:

U.S.A.	Canada
Linear Corporation	Linear Canada Inc.
2350 Camino Vida Roble	673 Consortium Court
Carlsbad, CA 92009	London, Ontario, Canada N6E 2S8
Attention: Repairs Department	Attention: Repairs Department

IMPORTANT !!!

Linear radio controls provide a reliable communications link and fill an important need in portable wireless signalling. However, there are some limitations which must be observed.

For U.S. installations only: The radios are required to comply with FCC Rules and Regulations as Part 15 devices. As such, they have limited transmitter power and therefore limited range.

Receivers may be blocked by radio signals that occur on or near their operating frequencies, regardless of code settings.

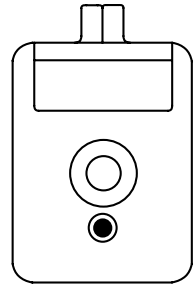
A receiver cannot respond to more than one transmitted signal at a time.

Infrequently used radio links should be tested regularly to protect against undetected interference or fault.

A general knowledge of radio and its vagaries should be gained prior to acting as a wholesale distributor or dealer, and these facts should be communicated to the ultimate users.

ET-2

Miniature Pendant Transmitter



Code Setting Instructions

This device complies with FCC Rules Part 15. Operation is subject to the following two conditions: (1) This device may not cause harmful interference and (2) this device must accept any interference that may be received, including interference that may cause undesired operation.

Linear

A NORTEK COMPANY

2055 Corte Del Nogal
Carlsbad, CA 92009

(619) 438-7000 • (800) 421-1587

CA (800) 321-1845 • FAX (619) 438-7043

Customer/Technical Service: (800) 392-0123